

# Product Specification

PRODUCT-M2



**Name :** Machine LED Lamp

**Model :** M2

**Date :** 01.01.2021

## 1. Product Information :

1. High luminous efficiency eliminating the effect of lamp heating up.
2. Quality LED cartridges from Taiwan.
3. Long articulated arm with multi-axis adjustment.
4. Application: CNC lathes and milling machines, conventional machine tools, grinding, assembly and quality control stations.
5. Robust, heat dissipating aluminum housing.
6. Two types of arm length: 220x270 and 380x420mm.

## 2. Product photo:

PRODUCT-M2



### 3. Environmental Requirements :

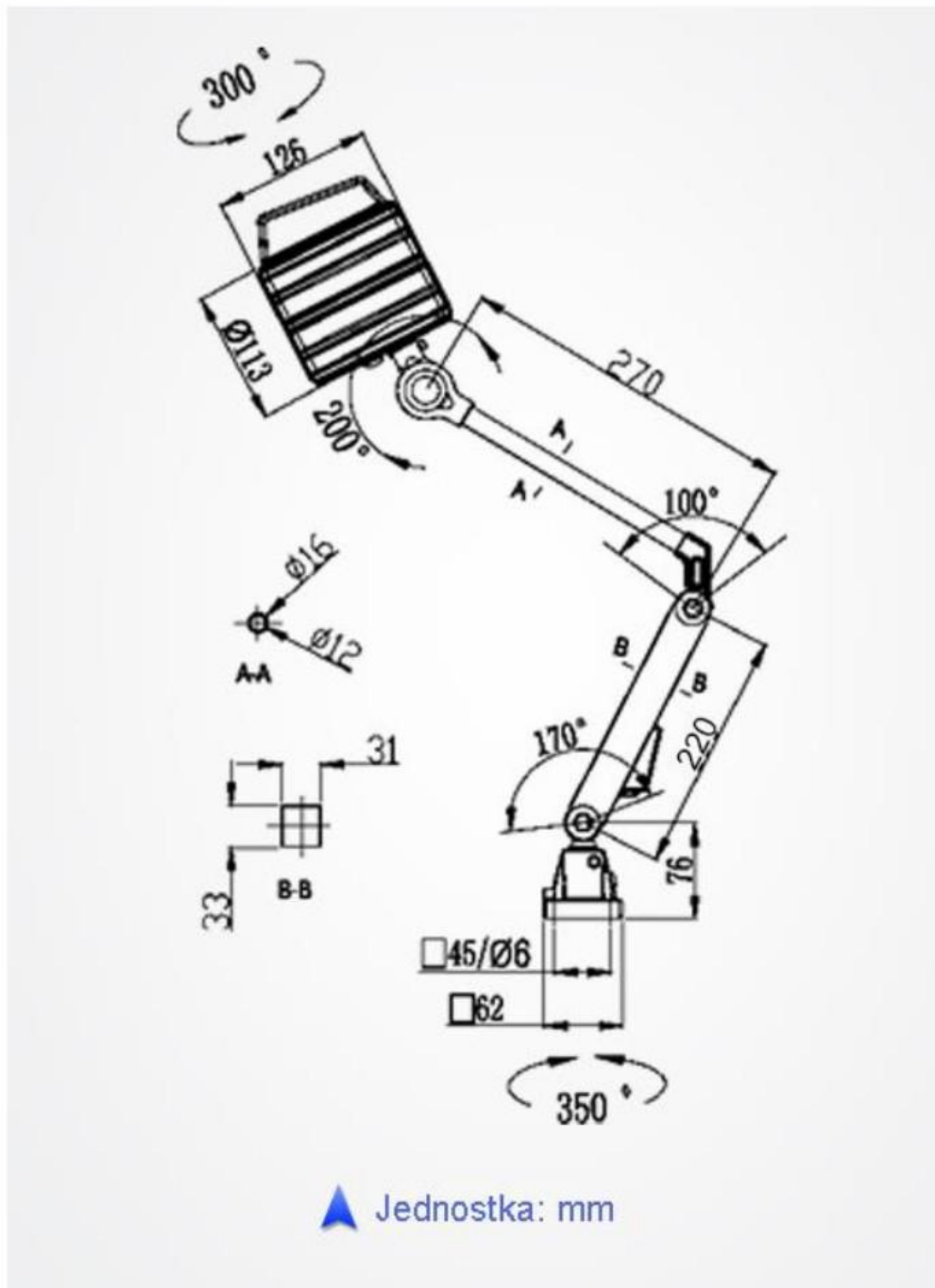
<b>Working temperature :</b>	-20~45°C
<b>Save temperature :</b>	-40~70°C
<b>Working humidity:</b>	10~90%
<b>Save humidity:</b>	10~90%

### 4.Parameters:

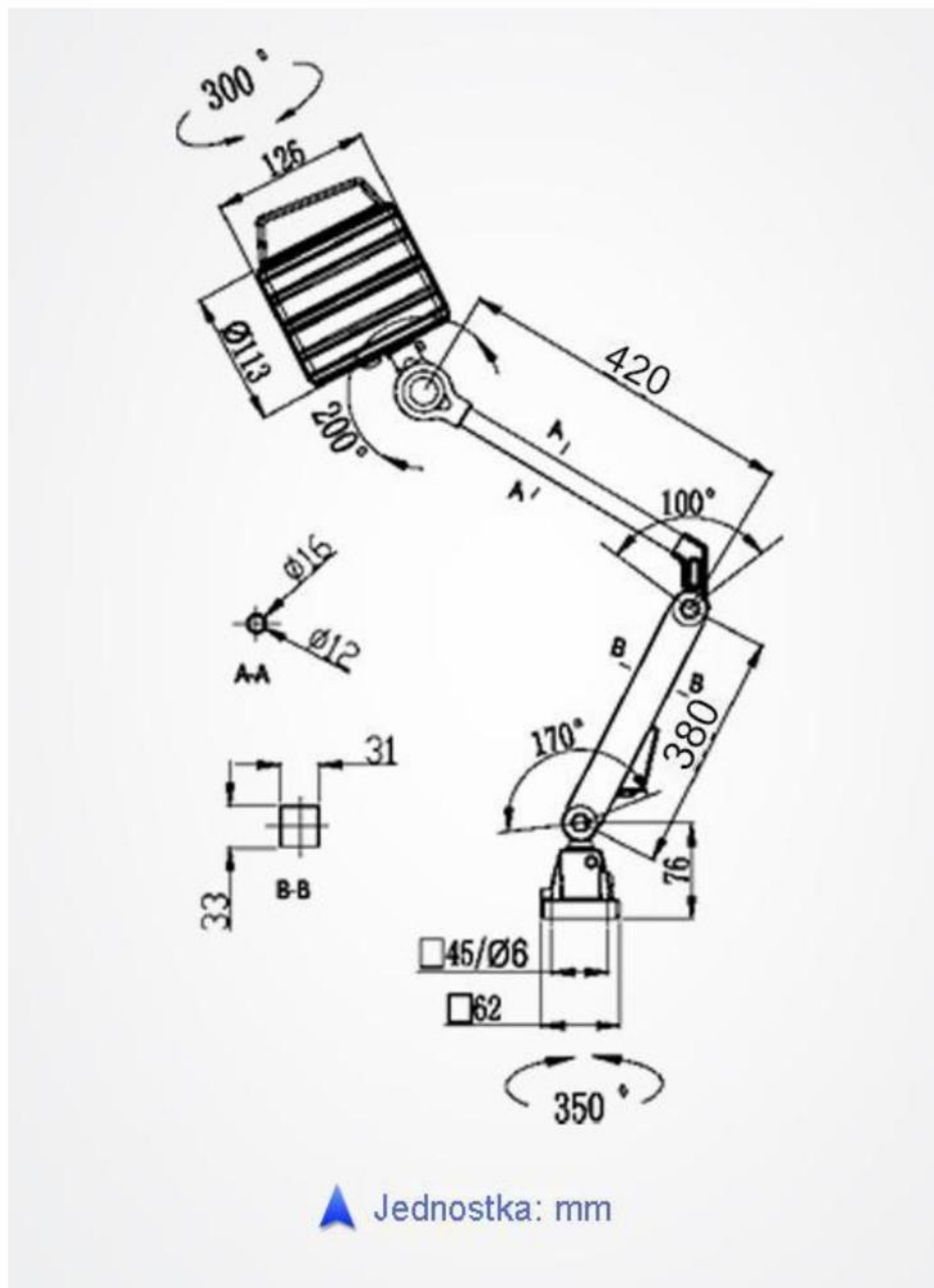
Model	Input Voltage	Range of input voltage	Range of CCT
M2-B1	AC/DC 24V	AC/DC 24±2V	5500-6000K
M2-B2	AC/DC 24V	AC/DC 24±2V	4000-4500K
M2-C1	AC220V (50/60Hz)	AC100-240V (50/60Hz)	5500-6000K
M2-C2	AC220V (50/60Hz)	AC100-240V (50/60Hz)	4000-4500K
<b>Length of cable</b>	1.2m (Standard), no plug fitted		
<b>Installation</b>	Fixed base by screws		
<b>Power dissipation</b>	7W	9.5W	
<b>Input current max.</b>	(24V) 300mA (220V) 32mA	(24V) 400mA (220V) 43mA	
<b>Light flux</b>	520Lm	700Lm	
<b>IP rating</b>	IP65	<b>Range of CCT</b>	6000-6500K      4000-4500K
<b>Light efficiency</b>	70Lm/W	<b>CRI</b>	70Ra
<b>Lamp Driver</b>	Izolacja(220V)	<b>Power factor</b>	≥0.8(220V)
<b>Work temperature</b>	< 60°C	<b>Beam angle</b>	45°
<b>Lifetime of source</b>	50 000H		

## 5. Dimensions:

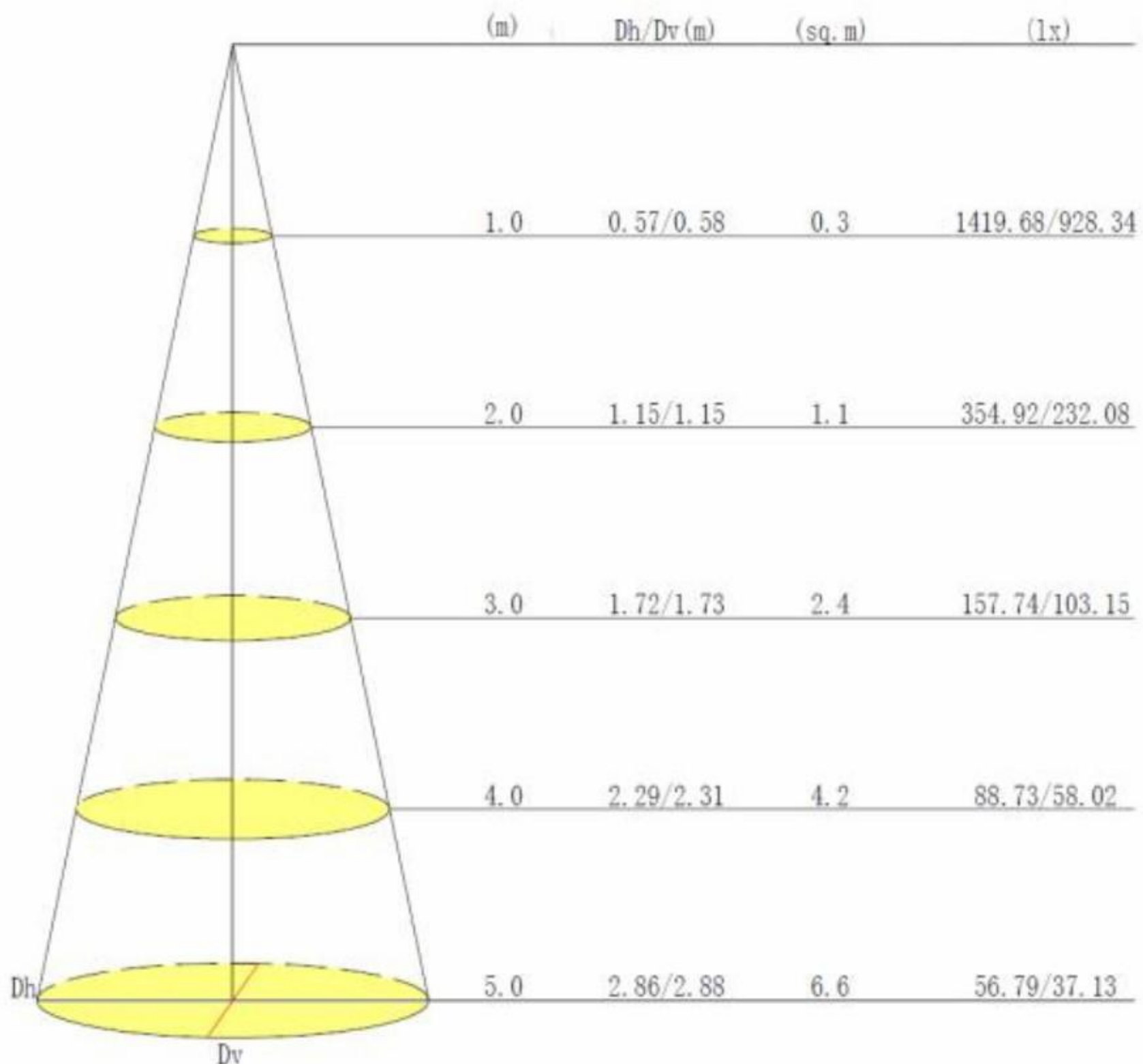
1. 270x 220 mm arm lenght type:



2. 420 x 380 mm arm length type:



## 6. Picture of light distribution curve:



## 7. Installation:

Mounting the base with screws:

- 1) Drill a hole with a diameter of 6mm in the selected location of the lamp installation.
- 2) Screw the screws through the holes in the base, after tightening the lamp heads set in any position by adjusting the arms with a 14mm flat wrench.